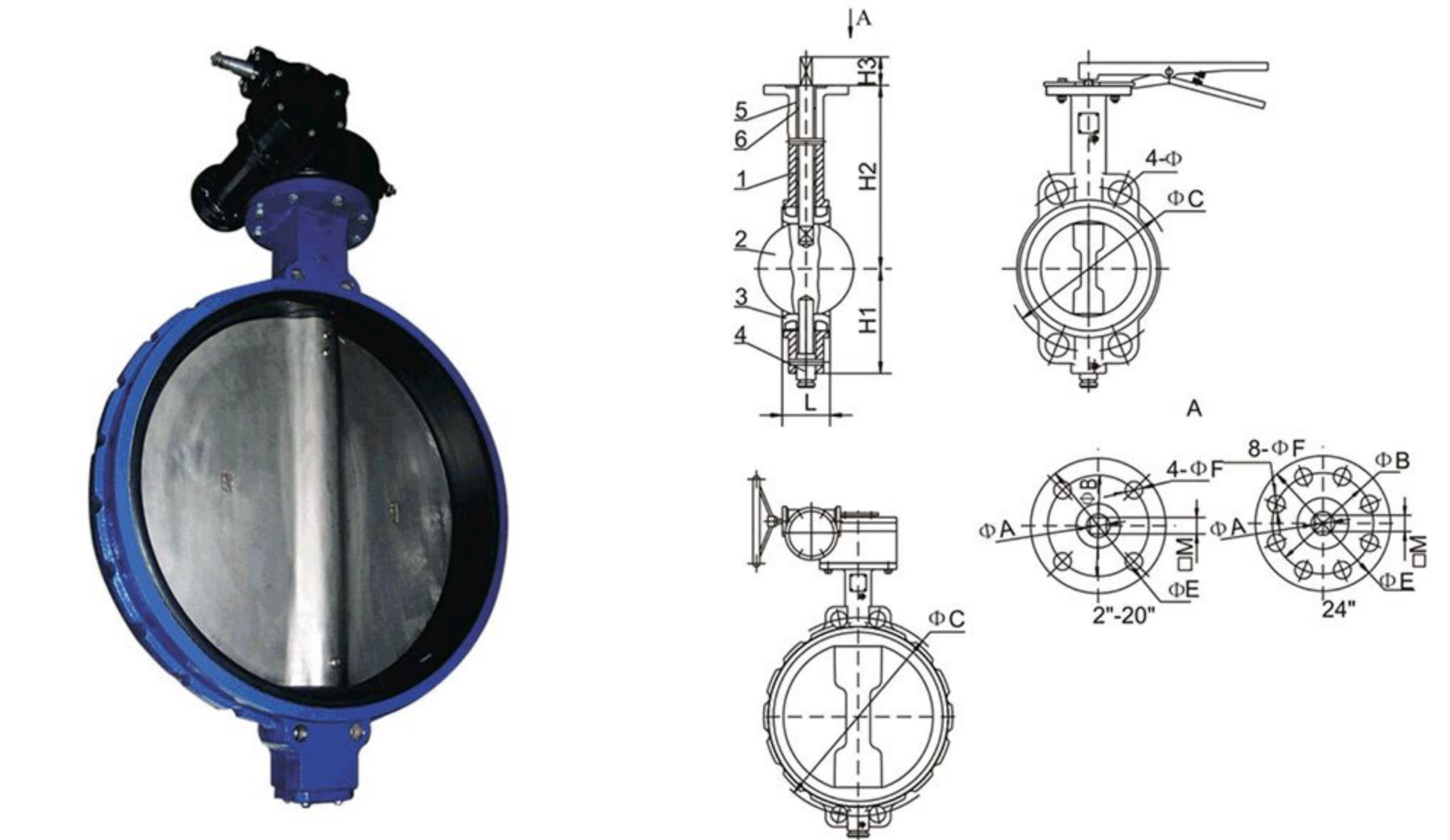


- Note:**
- 1.Design and manufacture: EN 593/BS 5155/MSS SP-67.
 - 2.Flange dimensions: EN 1092-2/BS 4504/ASME B16.1.
 - 3.Top flange dimensions: ISO 5211.
 - 4.Face to face dimensions: EN 558/ISO 5752/DIN 3202.
 - 5.Test and inspection: API 598.
 - 6.Size up to 48".

Materials list:

1	Body	Cast iron/Ductile iron
2	Disc	Ductile iron/Al Bronze/Stainless steel
3	Seat	NBR/EPDM/PTFE
4	Stem	Stainless steel
5	Bushing	PTFE/Al Bronze
6	"O" ring	NBR/EPDM/Viton

DN	H1	H2	H3	L	DIN PN10		DIN PN16		ΦA	ΦE	ΦB	ΦF	□M
					ΦC	Φ	ΦC	Φ					
40	73	123	32	33	110	18	110	18	12.7	65	50	4-7	9
50	83	162	32	43	125	18	125	18	12.7	65	50	4-7	9
65	89	175	32	46	145	18	145	18	12.7	65	50	4-7	9
80	95	181	32	46	160	18	160	18	12.7	65	50	4-7	9
100	114	200	32	52	180	18	180	18	15.9	90	70	4-9	11
125	127	213	32	56	210	18	210	18	19.05	90	70	4-9	14
150	140	225	32	56	240	23	240	23	19.05	90	70	4-9	14
200	173	260	36	60	295	23	295	23	22.2	125	102	4-11	17
250	203	292	36	68	350	23	355	27	28.6	125	102	4-11	22
300	237	337	36	78	400	23	410	27	31.8	125	102	4-13	22



- Note:**
- 1.Design and manufacture: EN 593/BS 5155/MSS SP-67.
 - 2.Flange dimensions: EN 1092-2/BS 4504/ASME B16.1.
 - 3.Top flange dimensions: ISO 5211.
 - 4.Face to face dimensions: EN 558/ISO 5752/DIN 3202.
 - 5.Test and inspection: API 598.
 - 6.Size up to 48".

Materials list:

1	Body	Cast iron/Ductile iron
2	Disc	Ductile iron/Al Bronze/Stainless steel
3	Seat	NBR/EPDM/PTFE
4	Stem	Stainless steel
5	Bushing	PTFE/Al Bronze
6	"O" ring	NBR/EPDM/Viton

DN	H1	H2	H3	L	PN10			PN16			ΦA	ΦE	ΦB	ΦF	ΦM
					ΦD	ΦD1	N2-Φd2	ΦD	ΦD1	N2-Φd2					
350	275	365	40	79	505	460	16-Φ23	520	470	16-Φ28	31.8	150	125	4-Φ13	22
400	315	410	55	90	565	515	16-Φ28	580	525	16-Φ31	33.3	175	140	4-Φ18	27
450	335	420	60	109	615	565	20-Φ28	640	585	20-Φ31	38	175	140	4-Φ18	27
500	376	490	65	132	670	620	20-Φ28	715	650	20-Φ34	41.15	175	140	4-Φ18	36
600	466	565	70	156	780	725	20-Φ31	840	770	20-Φ37	50.65	210	165	4-Φ22	36
700	510	610	75	169	895	840	24-Φ31	910	840	24-Φ37	63.35	300	254	8-Φ18	46
800	576	738	75	195	1015	950	24-Φ34	1025	950	24-Φ41	63.35	300	254	8-Φ18	46
900	637	838	110	211	1115	1050	28-Φ34	1125	1050	28-Φ41	75	300	254	8-Φ18	55
1000	701	942	140	224	1230	1160	28-Φ37	1255	1170	28-Φ44	85	300	254	8-Φ18	55
1200	844	1090	150	286	1455	1380	32-Φ41	1485	1390	32-Φ50	105	350	298	8-Φ22	—