

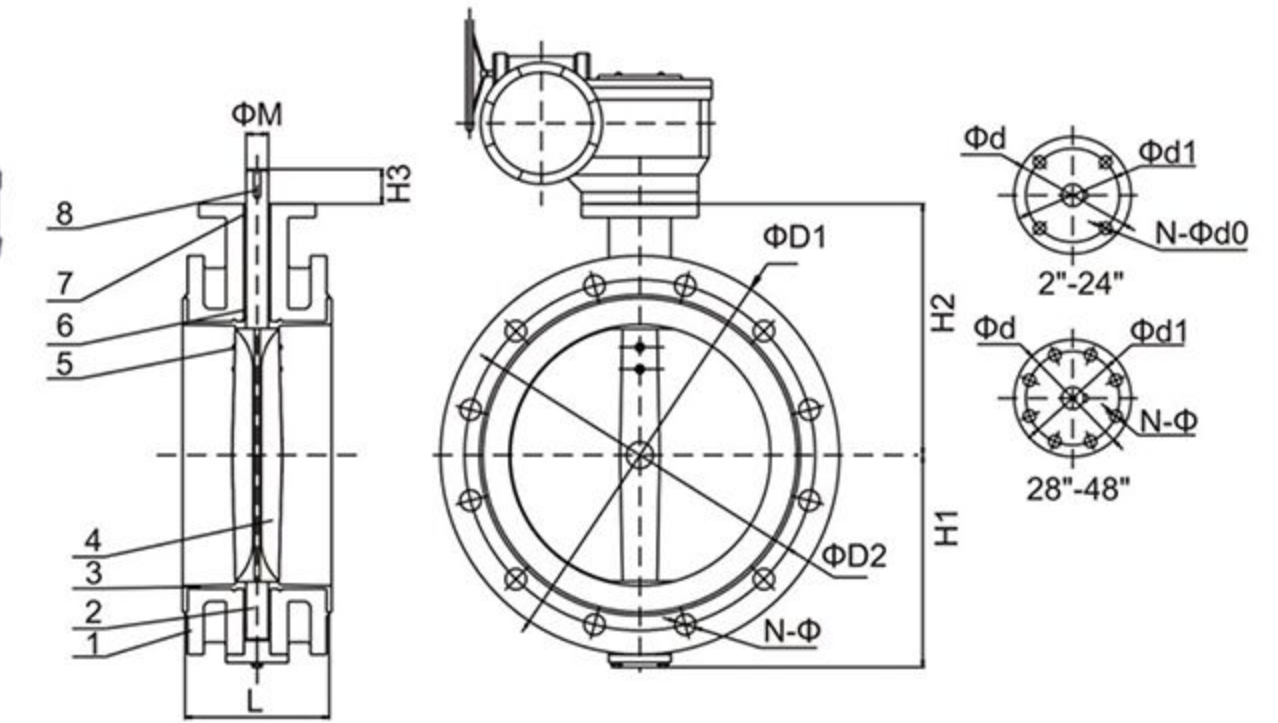
Note:

- 1.Design and manufacture: API 609/EN 593/AWWA C504.
- 2.Flange dimensions: EN 1092-2/ASME B16.1.
- 3.Top flange dimensions: ISO 5211.
- 4.Face to face dimensions: EN 558/ISO 5752/DIN 3202.
- 5.Test and inspection: API 598.
- 6.Size up to 80".

Materials list:

1	Body	Cast iron/Ductile iron
2	Disc	Ductile iron/Al Bronze/S.S.
3	Stem	Stainless steel 410/316
4	Seat	NBR/EPDM/PTFE
5	Bushing	PTFE/Al Bronze
6	"O" ring	NBR/EPDM

DN	H1	H2	H3	L	ΦD1	ΦD2	N-Φ	ΦM	Φd	Φd1	N-Φ
50	80	110	30	108	165	125	4-19	12.6	65	50	4-8
65	80	134	30	112	185	145	8-19	12.6	65	50	4-8
80	95	131	30	114	200	160	8-19	12.6	65	50	4-8
100	114	150	30	127	220	180	8-19	15.7	90	70	4-10
125	123	170	30	140	250	210	8-19	18.9	90	70	4-10
150	139	180	30	140	285	240	8-23	18.9	90	70	4-10
200	175	210	37	152	340	295	12-23	22.1	125	102	4-12
250	203	245	37	165	405	355	12-28	28.4	125	102	4-12
300	242	276	37	178	460	410	12-28	31.6	125	102	4-12
400	296	376	51.2	216	580	525	16-31	33.2	175	140	4-18
450	316	407	51.2	222	640	585	20-31	38	175	140	4-18
500	352	448	64.2	229	715	650	20-34	41.2	175	140	4-18
600	441	518	70.2	267	840	770	20-37	50.6	210	165	4-22
700	473	560	86	292	910	840	24-37	55	300	254	8-18
800	527	620	86	318	1025	950	24-41	55	300	254	8-18
900	581	685	118	330	1125	1050	28-41	75	300	254	8-18
1000	653	735	142	410	1255	1170	28-44	85	350	298	8-18



Note:

- 1.Design and manufacture: API 609/EN 593/AWWA C504.
- 2.Flange dimensions: EN 1092-2/ASME B16.1.
- 3.Top flange dimensions: ISO 5211.
- 4.Face to face dimensions: EN 558/ISO 5752/DIN 3202.
- 5.Test and inspection: API 598.
- 6.Size up to 80".

Materials list:

1	Body	Cast iron/Ductile iron
2	Disc	Ductile iron/Al Bronze/S.S.
3	Stem	Stainless steel 410/316
4	Seat	NBR/EPDM/PTFE
5	Bushing	PTFE/Al Bronze
6	"O" ring	NBR/EPDM

DN	H1	H2	H3	L	ΦD1	ΦD2	N-Φ	ΦM	Φd	Φd1	N-Φ
1200	786	917	150	470	1485	1390	32-48	105	350	298	8-22
1400	925	1000	200	530	1685	1590	36-48	120	415	356	8-32
1600	1045	1150	200	600	1930	1820	40-56	140	415	356	8-32
1800	1156	1200	280	670	2130	2020	44-56	160	475	406	8-40
2000	1350	1323	280	760	2345	2230	48-62	160	475	406	8-40
2200	1430	1500	300	800	2555	2440	52-62	180	560	483	12-40