

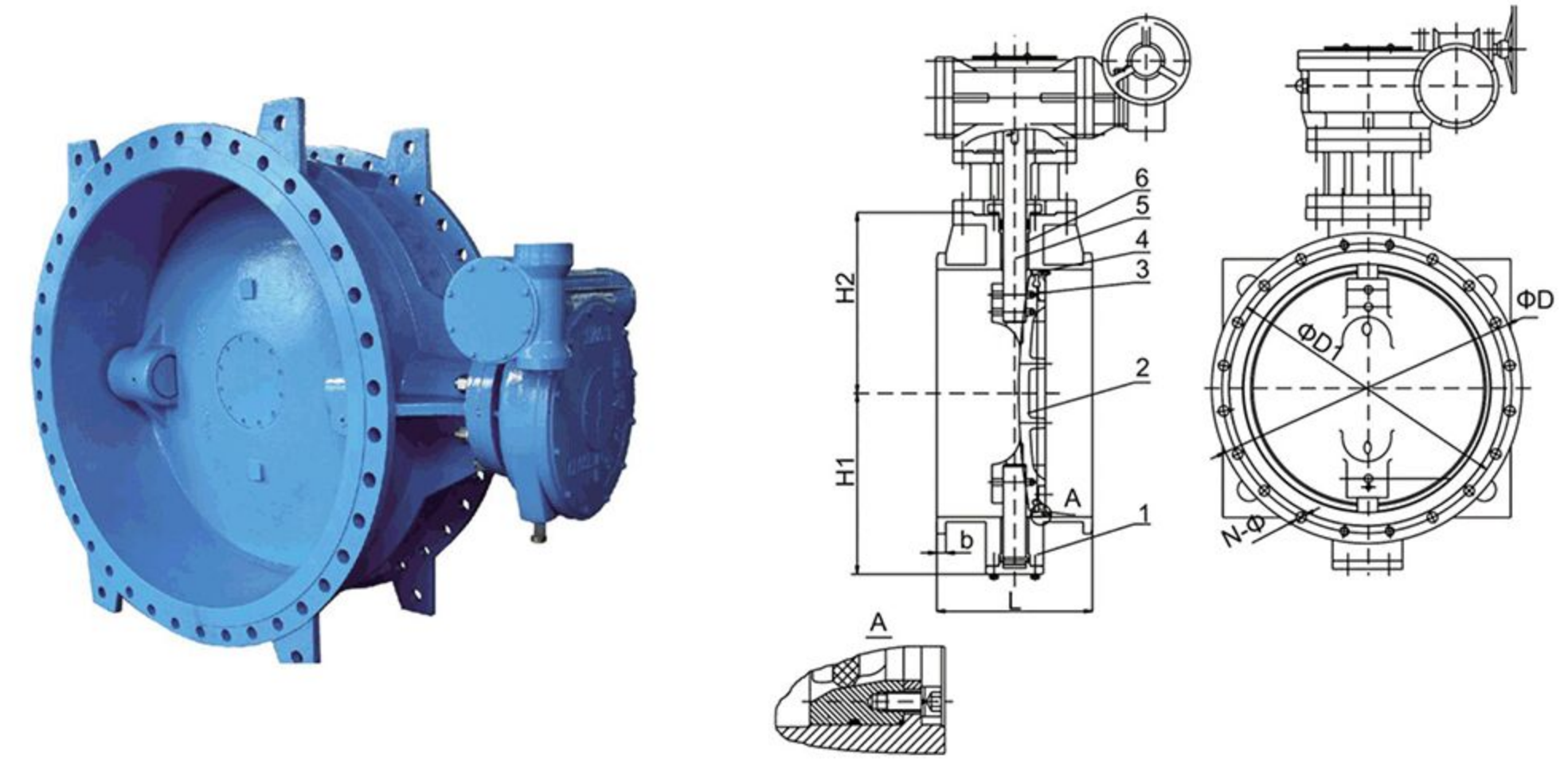
Note:

- 1.Design and manufacture: EN 593/BS 5155.
- 2.Flange dimensions: EN 1092-2/ASME B16.1.
- 3.Top flange dimensions: ISO 5211.
- 4.Face to face dimensions: EN 558/ISO 5752/DIN 3202.
- 5.Test and inspection: API 598.
- 6.Size up to 120".

Materials list:

1	Body	Cast iron/Ductile iron
2	Disc	Ductile iron/Al Bronze/S.S.
3	Pin	Stainless steel
4	Seat	Bronze/Stainless steel
5	Stem	Stainless steel
6	Bushing	PTFE/Al Bronze

DN	H1	H2	L	ΦD	ΦD1	N-Φ
100	120	140	190	220	180	8-18
125	153	170	200	250	210	8-18
150	153	170	210	285	240	8-23
200	210	208	230	340	295	12-23
250	214	240	250	405	355	12-27
300	262	278	270	460	410	12-27
350	307	307	290	520	470	16-27
400	343	343	310	580	525	16-30
450	371	371	330	640	585	20-30
500	420	415	350	715	650	20-33
600	440	440	390	840	770	20-36



Note:

- 1.Design and manufacture: EN 593/BS 5155.
- 2.Flange dimensions: EN 1092-2/ASME B16.1.
- 3.Top flange dimensions: ISO 5211.
- 4.Face to face dimensions: EN 558/ISO 5752/DIN 3202.
- 5.Test and inspection: API 598.
- 6.Size up to 120".

Materials list:

1	Body	Cast iron/Ductile iron
2	Disc	Ductile iron/Al Bronze/S.S.
3	Pin	Stainless steel
4	Seat	Bronze/Stainless steel
5	Stem	Stainless steel
6	Bushing	PTFE/Al Bronze

DN	H1	H2	L	ΦD	ΦD1	N-Φ
700	526	530	430	910	840	24-36
800	581	595	470	1025	950	24-39
900	643	650	510	1125	1050	28-39
1000	722	730	550	1255	1170	28-42
1200	840	850	630	1485	1390	32-48
1400	1150	1165	710	1685	1590	36-48
1600	1305	1310	790	1930	1820	40-56
1800	1425	1435	870	2130	2020	44-56
2000	1580	1595	950	2345	2230	48-62