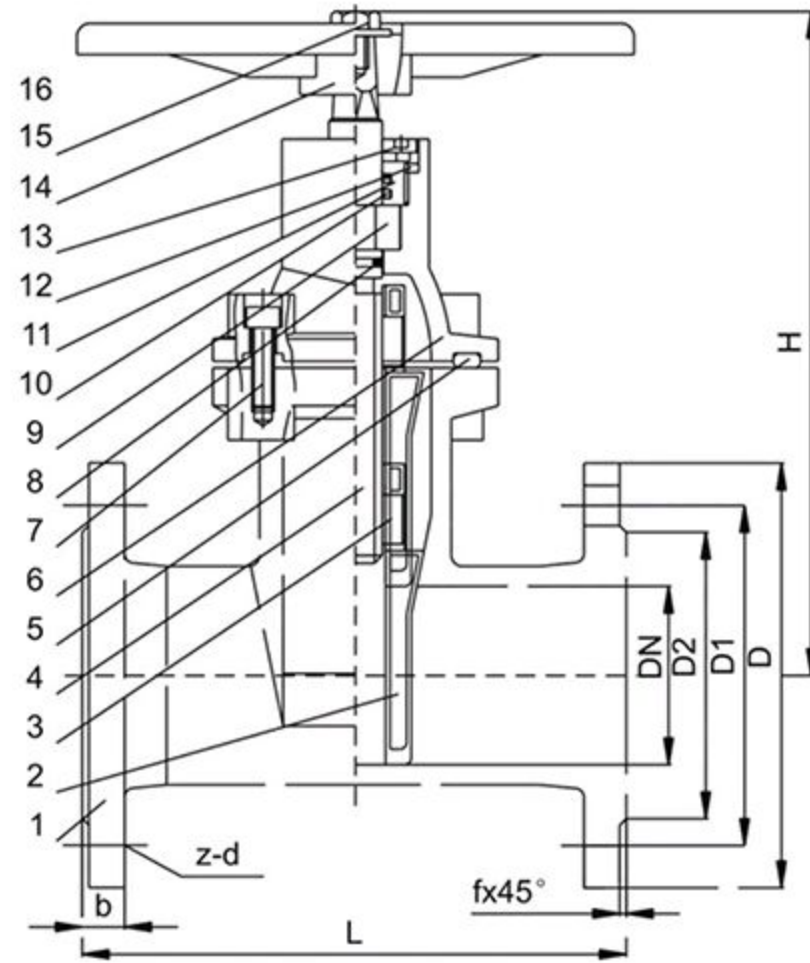




Shut off

DIN resilient seat gate valve NRS



Note:

- 1.Design and manufacture: DIN 3352.
- 2.Flange dimensions: EN 1092-2/DIN 2533.
- 3.Face to face dimensions: DIN 3202 F4/F5.
- 4.Fusion bonded epoxy coating inside and outside.
- 5.Test and inspection: API 598.
- 6.Size up to 40".

Materials list:

1	Body	C.I./D.I.	9	Locating ring	S.S. 13Cr
2	Wedge	D.I.+NBR	10	O-ring	NBR/Viton
3	Stem nut	BRASS	11	Bonnet nut	BRASS
4	Stem	S.S. 13Cr	12	Minipad	TFL
5	Gasket	NBR	13	Dust ring	NBR
6	Bonnet	C.I./D.I.	14	Wheel	Carbon steel
7	Bonnet bolt	Carbon steel	15	Washer	Carbon steel
8	O-ring	NBR/Viton	16	Bolt	Carbon steel

DN	D	D1	D2	L(F5)	b	f	Z-d	H
50	165	125	99	250	19	3	4-19	240
65	185	145	118	270	19	3	4-19	270
80	200	160	132	280	19	3	8-19	300
100	220	180	156	300	19	3	8-19	330
125	250	210	184	325	19	3	8-19	375
150	285	240	211	350	19	3	8-23	425
200	340	295	266	400	20	3	12-23	515
250	400	355	319	450	22	3	12-28	600
300	455	410	370	500	24.5	4	12-28	685
350	520	470	429	550	26.5	4	16-28	755
400	580	525	480	600	28	4	16-31	835
450	640	585	548	650	30	4	20-31	880
500	715	650	609	700	31.5	4	20-34	960
600	840	770	720	800	35	5	20-37	1120