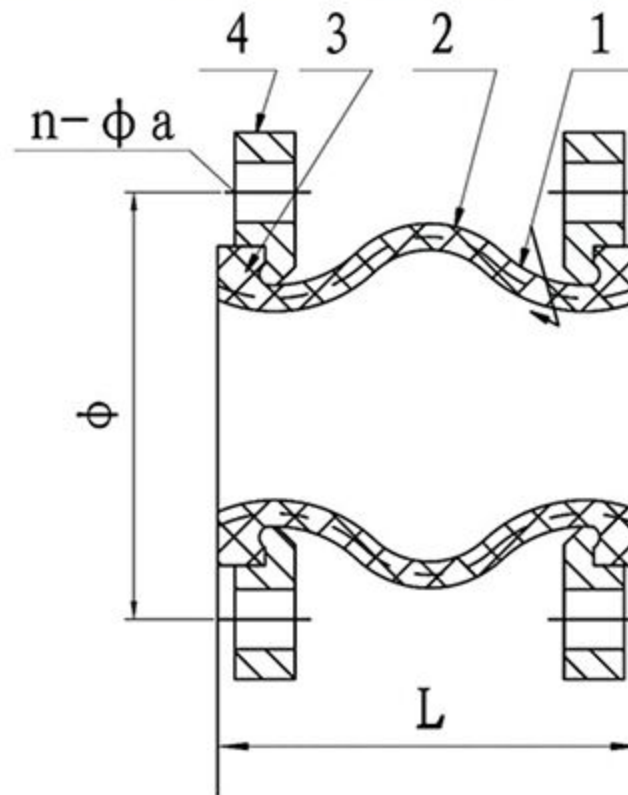


# J Joint

## Single sphere type rubber joint



Materials list:

1	Parts	Materials
2	Main Body	EPDM
3	Lining	Nylon cord fabric
4	Frame	Hard steel wire
5	Flange	Q235B

Size		L	PN10		PN16		Axial displacement		Lateral displacement	angle of deflection (a1+a2)
(mm)	(in)		Φ	n-Φa	Φ	n-Φa	Stretch(mm)	Compression		
32	1 1/4"	95	100	4-18	100	4-18	6	9	9	15°
40	1 1/2"	95	110	4-18	110	4-18	6	10	9	15°
50	2"	105	125	4-18	125	4-18	7	10	10	15°
65	2 1/2"	115	145	4-18	145	4-18	7	13	12	15°
80	3"	135	160	4-18	160	8-18	8	15	12	15°
100	4"	150	180	8-18	180	8-18	10	19	13	15°
125	5"	165	210	8-18	210	8-18	16	19	13	15°
150	6"	180	240	8-23	240	8-23	16	20	14	15°
200	8"	210	295	8-23	295	12-23	16	25	22	15°
250	10"	230	350	12-23	355	12-27	16	25	22	15°
300	12"	245	400	12-23	410	12-27	16	25	22	15°
350	14"	255	460	16-23	470	16-27	16	25	22	15°
400	16"	255	515	16-27	525	16-30	16	25	22	15°
450	18"	255	565	20-27	585	20-30	16	25	22	15°
500	20"	255	620	20-27	650	20-33	16	25	22	15°
600	24"	260	725	20-30	770	20-36	16	25	22	15°
700	28"	260	840	24-30	840	24-36	16	25	22	10°
800	32"	260	950	24-33	950	24-39	16	25	22	10°
900	36"	260	1050	28-33	1050	28-39	16	25	22	10°
1000	40"	260	1160	28-36	1170	28-42	16	25	22	10°